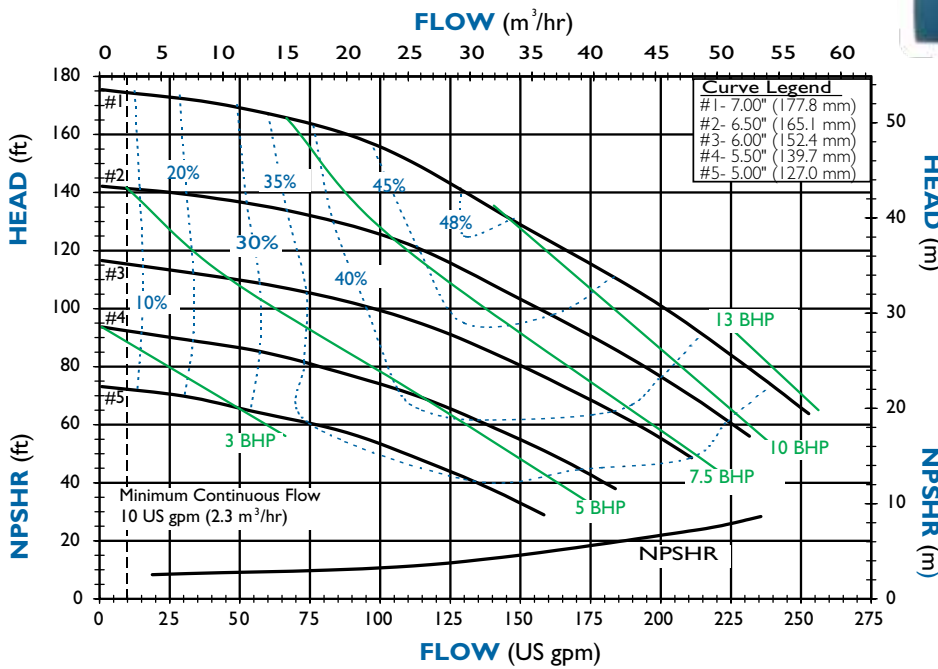


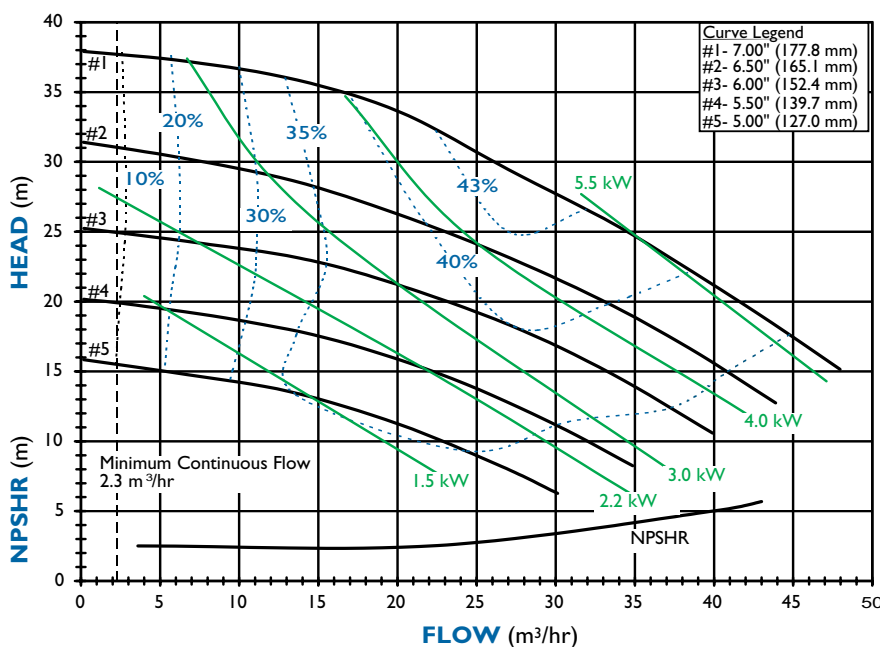
# SP Series: Model SP22



## SP22 PERFORMANCE 3450 RPM\*



## SP22 PERFORMANCE 2900 RPM\*



Notes: Maximum power @ 60 Hz is 13 hp (9.7 kW). [Consult factory for applications above 10 hp (7.5 kW).] At 50 Hz, maximum power is 7.5 kW (10 hp).

\*Performance curves above are based on flooded suction. Performance will vary with suction lift conditions. For performance at various suction lifts, see curve book on FTI web site ([www.finishthompson.com](http://www.finishthompson.com)) or contact factory.

**Warning!** SP Series not recommended for pumping flammables!



## FEATURES & CAPABILITIES

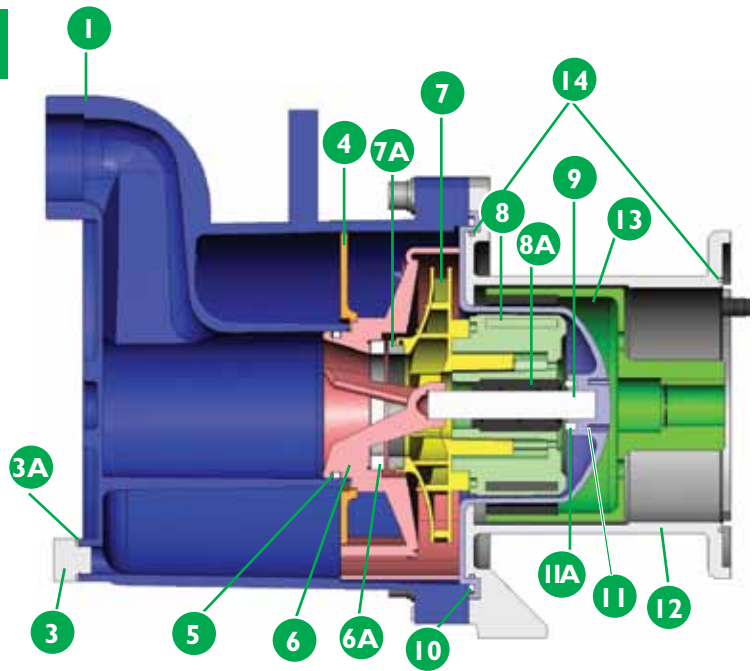
- + Self-priming, magnetic drive
- + Five-year warranty
- + Easy set measurement free drive
- + Provides up to 25 ft. (7.6 m) lift or equivalent
- + Primes 15 ft. (4.57 m) in 90 seconds (with maximum diameter impeller at 60 Hz with 3" pipe)
- + Retains fluid for re-priming when shut off without a check valve
- + Extended run dry ability (with carbon bushing)
- + High operating efficiency
- + Polypropylene or PVDF construction
- + Powerful neodymium magnets
- + Close-coupled design
- + Threaded (NPT or BSP), union or flange connections
- + Impeller trims available every 1/8" (.32 cm) between smallest and largest diameter
- + Back pullout design
- + Mounts to NEMA and IEC (B5 or B14) motor frames
- + ISO 1940 G2.5 balancing
- + CE certified
- + High working pressure up to 90 psi (6.2 bar)
- + Specific gravity up to 1.8
- + Polypropylene—180° F (82° C)
- + PVDF—220° F (104° C)

## APPLICATIONS

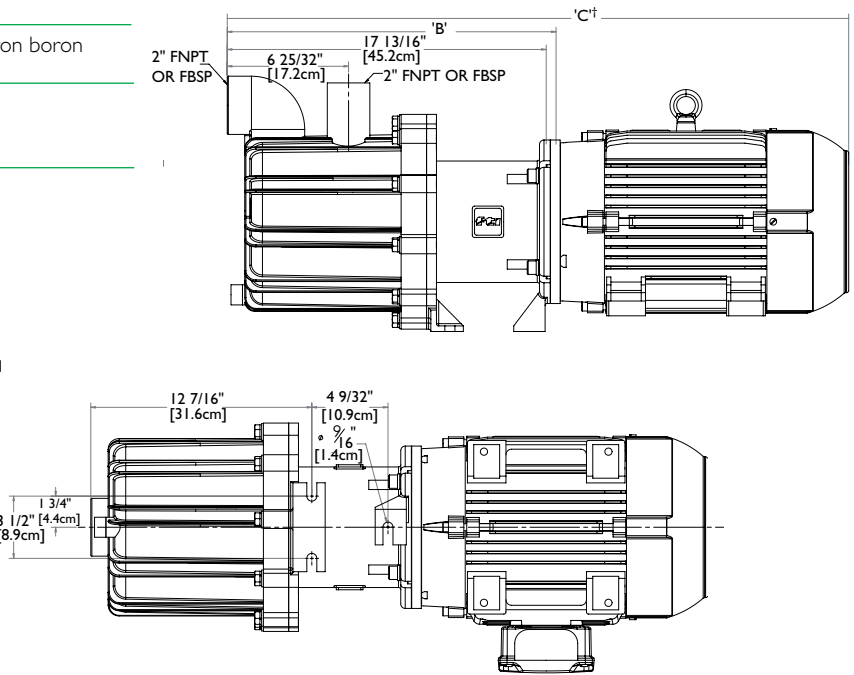
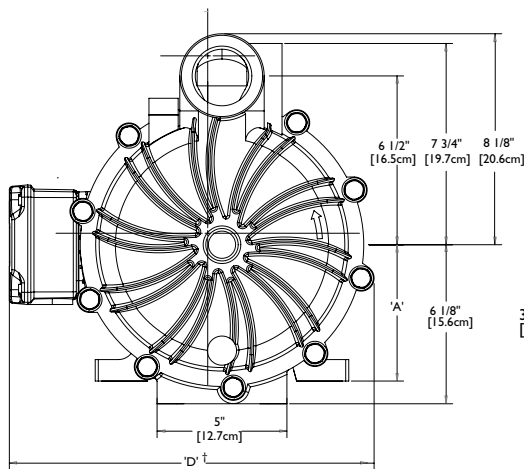
- + Rail cars
- + Tanker trucks
- + Tanks with an opening on top
- + Bulk storage to day or process tank transfer
- + Sumps and reservoirs
- + Below grade storage tanks
- + Over-the-wall applications
- + When run-dry protection is needed
- + and many more!

<b>1</b>	Housing		
<b>4</b>	Separator plate	Glass-fiber reinforced polypropylene	Carbon-fiber reinforced PVDF
<b>6</b>	Inner volute	Glass-fiber reinforced polypropylene	Carbon-fiber reinforced PVDF
<b>7</b>	Impeller		
<b>3A, 5, 10</b>	O-ring options	FKM, EPDM	
<b>3</b>	Fill and drain plugs*	Polypropylene	PVDF
<b>6A</b>	Inner volute thrust ring options	High purity alumina ceramic, silicon carbide	
<b>7A</b>	Impeller thrust washer options	Molybdenum disulfide filled PTFE, silicon carbide	
<b>8</b>	Inner drive	Neodymium iron boron magnets encapsulated in unfilled polypropylene	Neodymium iron boron magnets encapsulated in unfilled PVDF
<b>8A</b>	Bushing options	Carbon, PTFE, silicon carbide	
<b>9</b>	Shaft options	High purity alumina ceramic, Hastelloy® C, silicon carbide	
<b>11</b>	Barrier	Glass-fiber reinforced polypropylene	Carbon-fiber reinforced PVDF
<b>11A</b>	Barrier thrust ring	High purity alumina ceramic	
<b>12</b>	Motor adapter	Ductile iron	
<b>13</b>	Outer drive magnets	Nickel-plated neodymium iron boron magnets/steel	
<b>14</b>	Motor adapter sealing kit (NEMA only)	Buna N (std), FKM, EPDM	

\*Fill plug not shown



Hastelloy® C is a registered trademark of Haynes International, Inc.



Motor Frame	A	B	C†	D†	Weight - lbs. [kg]	
					PP	PVDF
<b>NEMA 184TC</b>	4-1/2" [11.4 cm]	17-13/16" [45.2 cm]	31-1/16" [78.9 cm]	12-15/32" [31.7 cm]	46 [20.9]	52 [23.6]
<b>NEMA 213/215</b>	5-1/4" [13.3 cm]	18-11/32" [46.6 cm]	34-11/16" [88.1 cm]	14-1/32" [35.7 cm]	51 [23.1]	57 [25.9]
<b>IEC 90 w/B14 or B5</b>	3-17/32" [9.0 cm]	18-11/16" [47.5 cm]	29-11/16" [75.4 cm]	11-11/16" [29.7 cm]	54 [29.7]	60 [27.2]
<b>IEC 100 w/B14 or B5</b>	3-15/16" [10.0 cm]	18-11/16" [47.5 cm]	31-1/8" [79.1 cm]	12-1/8" [30.8 cm]	54 [24.5]	60 [27.2]
<b>IEC 112 w/B14 or B5</b>	4-13/32" [11.2 cm]	18-11/16" [47.5 cm]	31-7/8" [81.0 cm]	12-1/8" [30.8 cm]	54 [24.5]	60 [27.2]
<b>IEC 132 w/ B14 or B5</b>	5-3/16" [13.0 cm]	18-3/4" [47.6 cm]	34-27/32" [88.5 cm]	14-3/16" [36.0 cm]	57 [25.9]	63 [28.6]

Note: Dimensions and weights are for reference only. Weights listed are for pumps only. Motor weight not included.

†Varies with motor manufacturer.

